

Applicator Stand Options and Features



• ——— Double H-Base

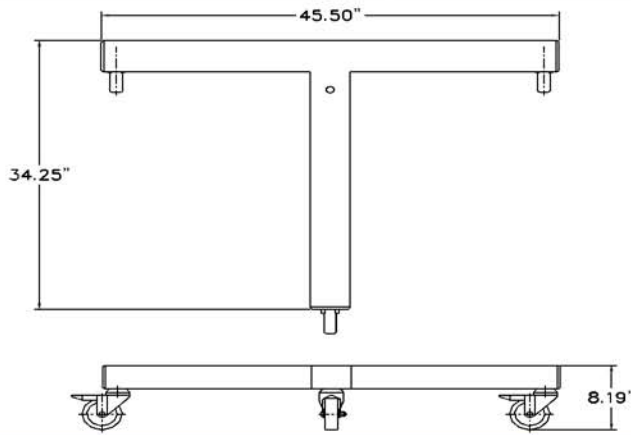
• ——— U-Base

• ——— T-Base Stand shown with Wizard Upright

• ——— Low Toe

RLC Applicator Stands

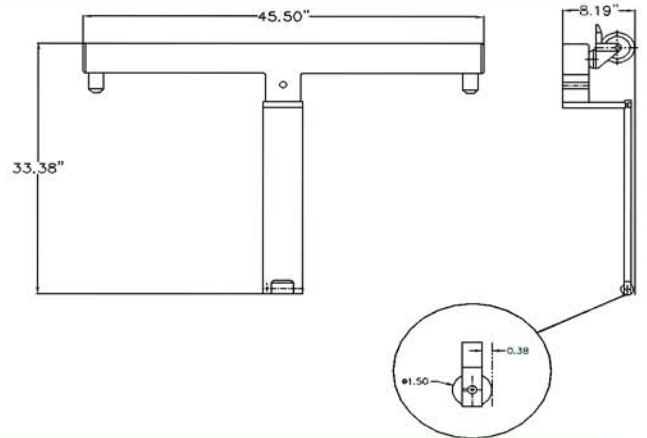
T-Base Stand



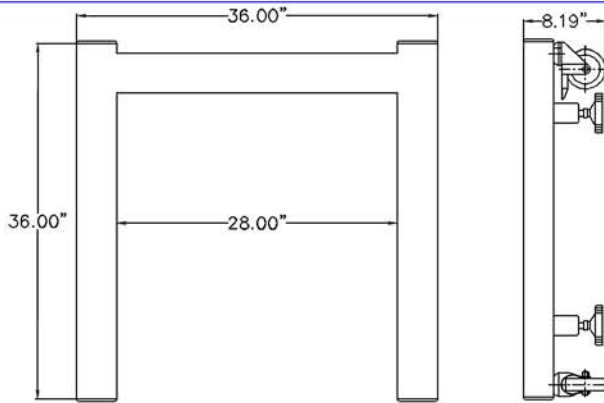
- 3" x 4" Structural Steel Tubing
- Powder Coated Finish
- Double Locking Casters
- Optional Leveling Feet Available
- Standardized Base Design

Low-Toe Stand

- 3" x 4" Structural Steel Tubing
- Powder Coated Finish
- Double Locking Casters
- Optional Leveling Feet Available
- 1.5" Diameter Nose Roller
- Ideal for Low Clearance Situations



U-Base Stand



- 3" x 4" Structural Steel Tubing
- Powder Coated Finish
- Double Locking Casters
- Optional Leveling Feet Available (Shown)
- U-Shape Design Increases Stability
- Ideal for Applicator Clearance Issues

Double H-Base

- 3" x 4" Structural Steel Tubing
- Powder Coated Finish
- Double Locking Casters
- Optional Leveling Feet Available (Shown)
- H-Shape Design Increases Strength and Stability
- Ideal for Mounting Horizontal Kits

