

# Model RLC4800

## Hugger Belt System



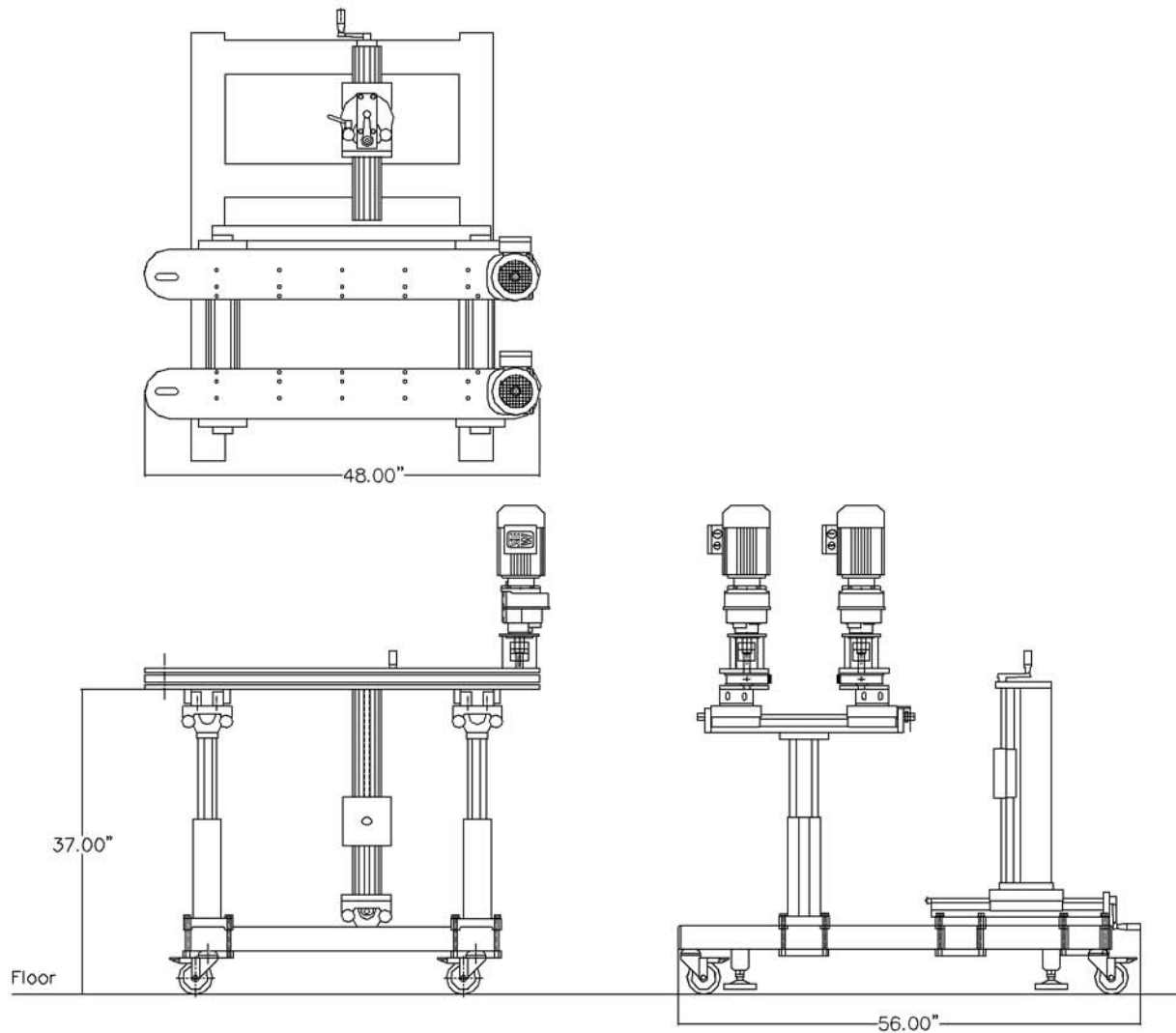
### System Features

- Stainless Steel Fasteners
- Sealed for Life Bearings
- Variable Speed AC Drive
- 1/2 HP AC Motors and Gearboxes
- Center-line Adjusting
- Powder Coated or Anodized Aluminum Construction
- Support Base with Double Locking Casters and Leveling Feet
- Timing Belt Side Belts for Increased Reliability
- 36" Heavy Duty Upright with Horizontal Kit
- Remote Emergency Stop
- Height Adjustment (+/- 3")

### System Options

- Complete Stainless Steel Construction
- Thomson Bearing Horizontal Kit
- Stainless Steel Support Base
- Stainless Steel All-Thread (Horizontal and Vertical)
- Product Detect Sensor Mounting Brackets
- Bottom Support Rails for Heavy Products
- FDA Approved Side Belts

# Model RLC4800



## Electrical Requirements

- 120 VAC / 8 Amp
- *Additional voltages available upon request*

## Standard Speeds

- 0 - 120 (FPM)

## Standard Lengths

- 36", 48", 60"
- *Custom lengths available upon request*

## Approximate Dimensions

- Dependent on Length & Width of Hugger System

## Approximate Weight

- Dependent on Length & Width of Hugger System

*Distributed By:*



6496 State Route 45  
Lisbon, Ohio 44432

(330) 424-1525  
fax (330) 424-0763

info@rlcraig.com  
www.rlcraig.com