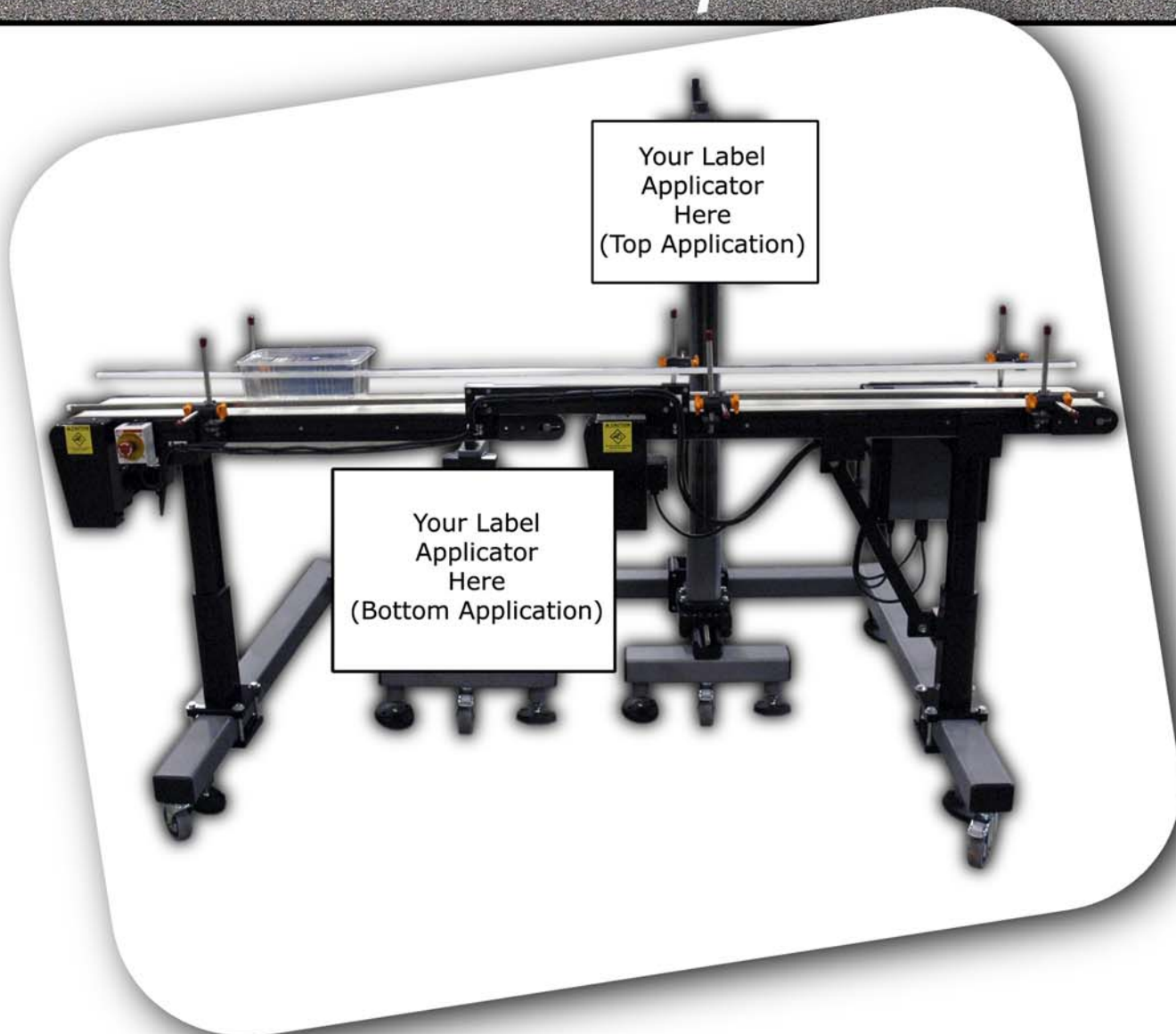


Model RLC250 Top/Bottom



Low Profile Top / Bottom Labeling System



System Features

- Stainless Steel Fasteners
- Sealed for Life Bearings
- Variable Speed DC Drive
- 1/4 HP DC Gear-Motor
- Endless Conveyor Belt
- End to End Design (Gap Between Conveyors Determined per Application)
- Support Base with Double Locking Casters and Leveling Feet
- Integrated 54" Upright with Horizontal Kit (Top Labeler)
- Integrated 36" Upright with Horizontal Kit (Bottom Labeler)
- Height Adjustment (+/- 3")
- Fully Adjustable Guide Railing
- Timing Belt Drive
- Powder Coated / Anodized Aluminum and Powder Coated Steel Construction

System Options

- Variable Speed AC Drive (Digital Display)
- Centralized Control Box (Single Speed Pot)
- Remote Emergency Stop
- FDA Approved Belt (Shown Above)
- Sensor / Reflector Mount (For Labelers)
- Scanner Mounting Adapter Plates
- Scanner Control Mounting Plates
- Ink Jet Mounting Adapter Plates

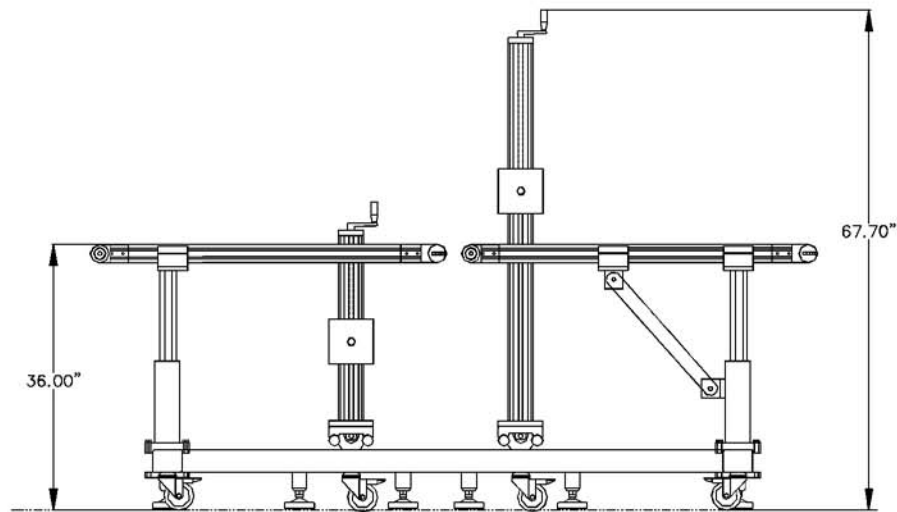
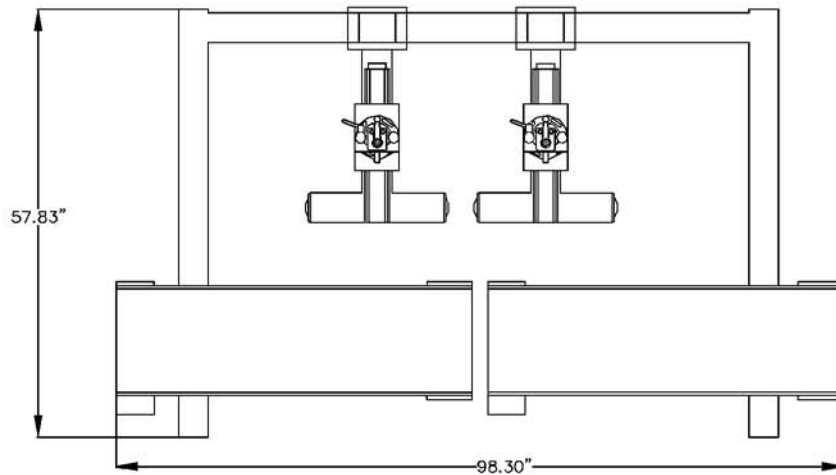


6496 State Route 45
Lisbon, Ohio 44432

(330) 424-1525
fax (330) 424-0763

info@rlcraig.com
www.rlcraig.com

Model RLC250 Top/Bottom



Electrical Requirements

- 120 VAC / 6 Amp
- * *Additional voltages available upon request*

Approximate Dimensions

- *Dependent on Conveyor Length & Width*

Conveyor Widths

- 4" - 36" (2" Increments)
- * *Custom widths available upon request*

Approximate Weight

- *Dependent on Conveyor Length & Width*

Conveyor Lengths

- 4ft, 6ft, 8ft, 10ft, 12ft
- * *Custom lengths available upon request*

Distributed By:



6496 State Route 45
Lisbon, Ohio 44432

(330) 424-1525
fax (330) 424-0763

info@rlcraig.com
www.rlcraig.com