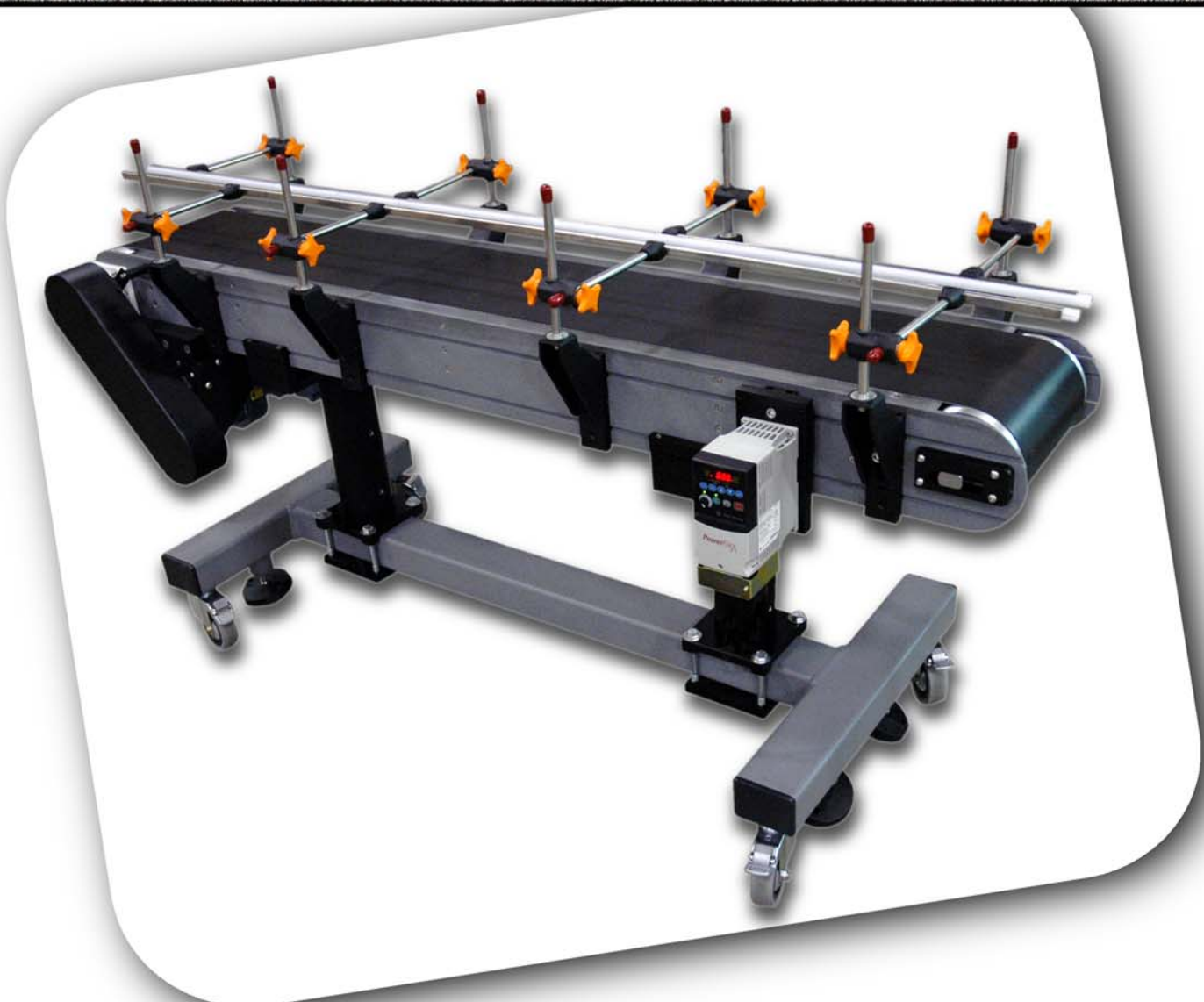


Model RLC2060



Integrated Standard Belt Conveyor



System Features

- Stainless Steel Fasteners
- Sealed for Life Bearings
- Variable Speed DC Drive
- 1/2 HP DC Motor and Gearbox
- Clipper Laced Conveyor Belt
- Support Base with Double Locking Casters and Leveling Feet
- Integrated 54" Upright with Horizontal Kit
- Height Adjustment (+/- 3")
- Fully Adjustable Guide Railing
- Timing Belt Drive
- Powder Coated/Anodized Aluminum and Powder Coated Steel Construction

System Options

- Variable Speed AC Drive (Digital Display)
- Endless Conveyor Belt
- Heavy Duty Guide Railing
- Sensor/Reflector Mount
- Scanner Mounting Adapter Plates
- Scanner Control Mounting Plates
- Ink Jet Mounting Adapter Plates
- Remote Emergency Stop

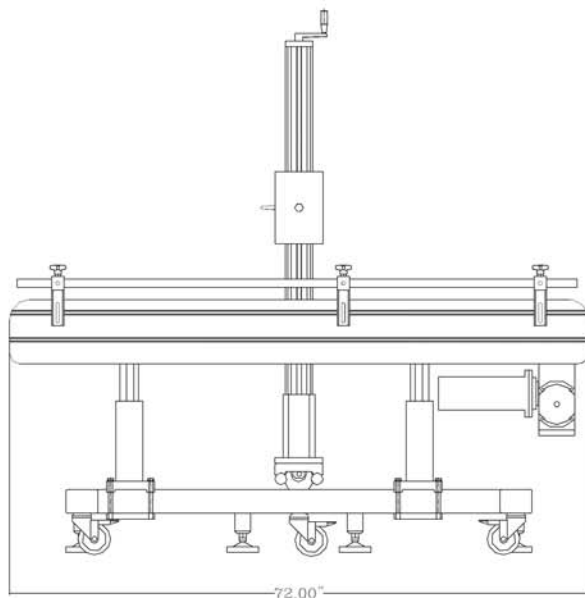
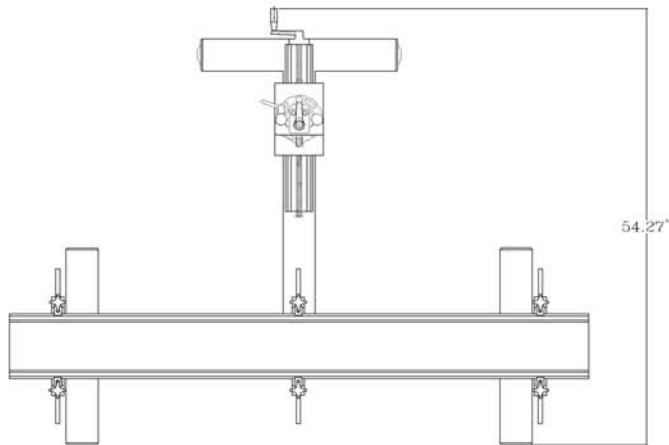


6496 State Route 45
Lisbon, Ohio 44432

(330) 424-1525
fax (330) 424-0763

info@rlcraig.com
www.rlcraig.com

Model RLC2060



Electrical Requirements

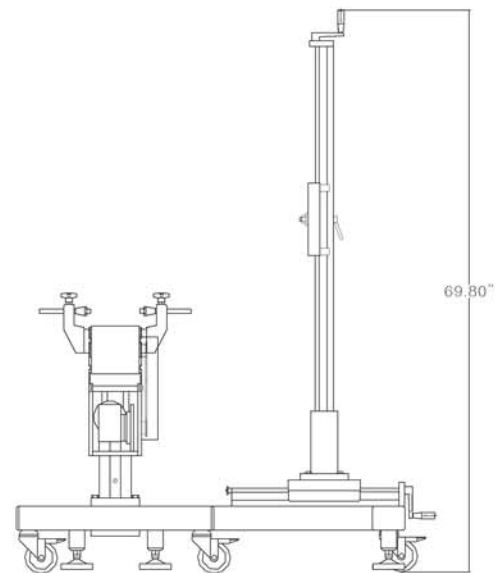
- 120 VAC / 6 Amp
- * Additional voltages available upon request

Conveyor Widths

- 4" - 36" (2" Increments)
- * Custom widths available upon request

Conveyor Lengths

- 4ft, 6ft, 8ft, 10ft, 12ft
- * Custom lengths available upon request



Approximate Dimensions

- Dependent on Conveyor Length & Width

Approximate Weight

- Dependent on Conveyor Length & Width

Distributed By:



6496 State Route 45
Lisbon, Ohio 44432

(330) 424-1525
fax (330) 424-0763

info@rlcraig.com
www.rlcraig.com