

# Model RLC150



Low Profile Mattop Chain Conveyor System

### System Features

- Stainless Steel Fasteners
- Sealed for Life Bearings
- Variable Speed DC Motor
- 1/4 HP DC Gear-motor
- Rexnord Mattop Chain
- Support Legs with Leveling Feet
- Height Adjustment (+/- 3")
- Fully Adjustable Guide Railing
- Timing Belt Drive
- Powder Coated/Anodized Aluminum and Powder Coated Steel Construction

### System Options

- Variable Speed AC Drive (Digital Display)
- Double Locking Casters
- Support Base with Double Locking Casters and Leveling Feet
- Remote Emergency Stop
- Sensor - Reflector Mount
- Scanner Mounting Adapter Plates
- Scanner Control Mounting Plates
- Ink Jet Mounting Adapter Plates

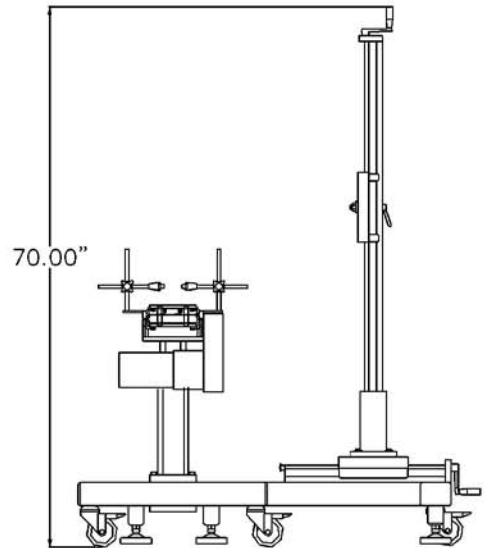
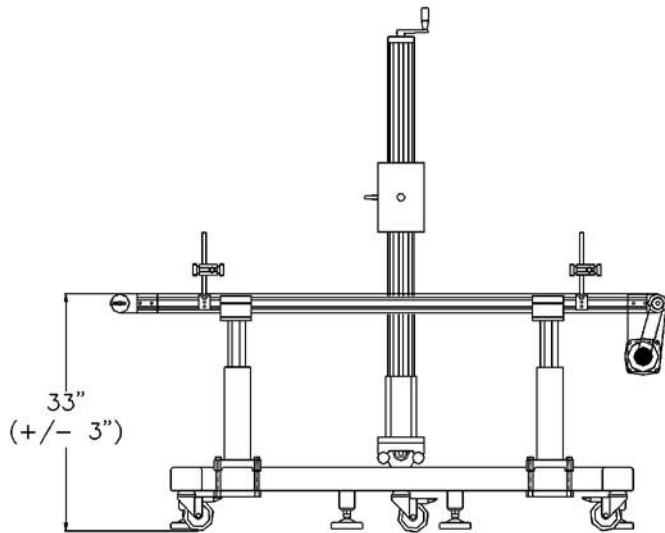
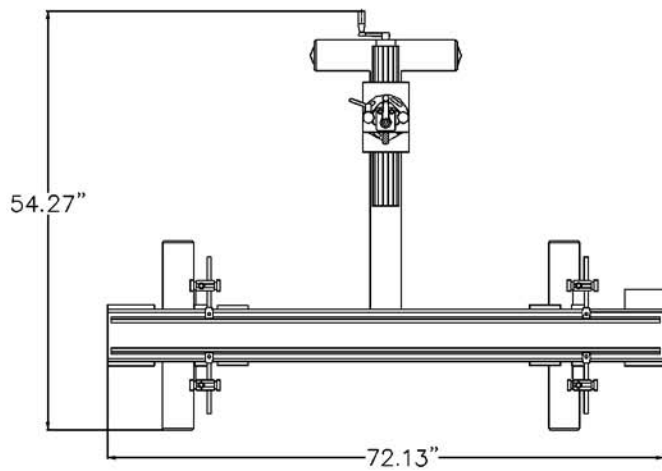


6496 State Route 45  
Lisbon, Ohio 44432

(330) 424-1525  
fax (330) 424-0763

info@rlcraig.com  
www.rlcraig.com

# Model RLC150



## Electrical Requirements

- 120 VAC / 6 Amp
- \* *Additional voltages available upon request*

## Conveyor Widths

- 3" - 12" (3" Increments)
- \* *Custom widths available upon request*

## Conveyor Lengths

- 4ft, 6ft, 8ft, 10ft, 12ft
- \* *Custom lengths available upon request*

## Approximate Dimensions

- *Dependent on Conveyor Length & Width*

## Approximate Weight

- *Dependent on Conveyor Length & Width*

*Distributed By:*



6496 State Route 45  
Lisbon, Ohio 44432

(330) 424-1525  
fax (330) 424-0763

info@rlcraig.com  
www.rlcraig.com